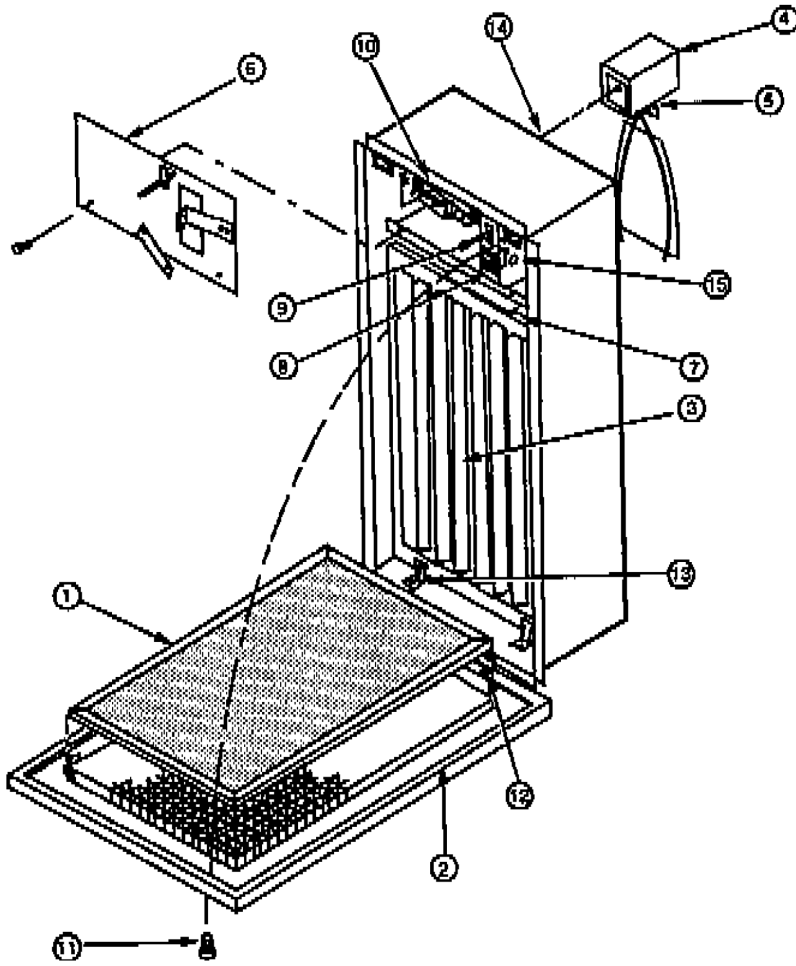
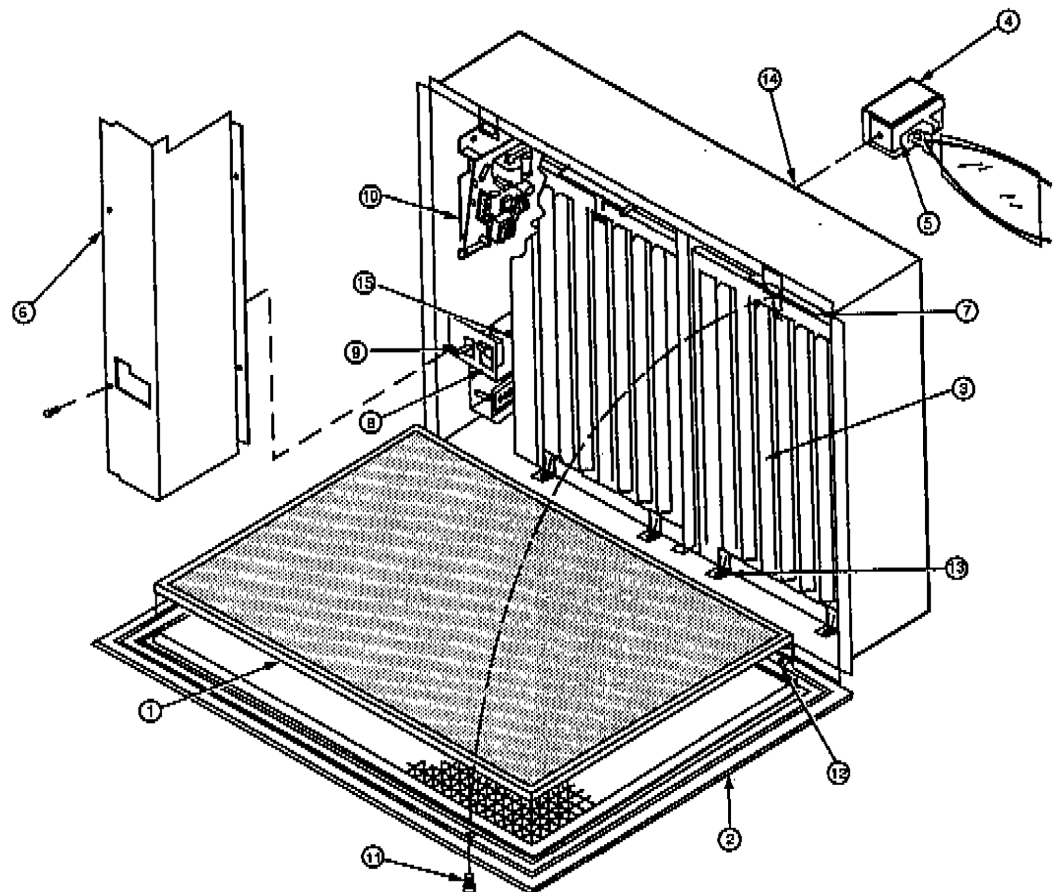


HONEYWELL F52E PARTS LIST



1-Cell

2-Cell



HONEYWELL F52E PARTS LIST

Number	Description	Part Number			
		120 Vac Model		220/240 Vac Model	
		1-Cell	2-Cell	1-Cell	2-Cell
1	Prefilter	198441	198442	198441	198442
2	Door Assembly	220333B	220333B	220333B	220333B
	(include's prefilter and door)				
3	Electronic Cell	FC37A1171	FC37A1171 (2)	FC37A1171	FC37A1171 (2)
4	Sail Switch	S688A1007	S688A1007	S688A1007	S688A1007
5	Sail Switch Bracket	190964	190964	190964	190964
6	Power Supply Enclosure (2-cell)		190934A		190934A
	Power Supply Cover Plate (1-cell)	201792A		201792A	
7	Cell Contact Boards for:				
	Cabinet	190912A	190912A (2)	190912A	190912A (2)
	Cell	196430A	196430A (2)	196430A	196430A (2)
8	Switch-Neon Light Assembly	200732	200732	200732	200732
9	Interlock Switch	190333	190333	190333	190333
10	Power Supply Assembly	203350A	203327A	203350B	203327B
11	Plastic Door Latch	190915 (2)	190915 (2)	190915 (2)	190915 (2)
12	Hex Nut for Door Hinge	21581 (3)	21581 (3)	21581 (3)	21581 (3)
13	Plastic Hook for Cell(s)	190913 (2)	190913 (4)	190913 (2)	190913 (4)
14	Strain Relief	103074T	103074T	103074T	103074T
15	Terminal Bushing	201422	138779	201422	138779
16	Adapter Plate for Power Supply	138620		138620	
Not Shown	Ionizer Wires	136434AA	136434AA	136434AA	136434AA
Not Shown	Cell Handle	137266	137266 (2)	137266	137266 (2)