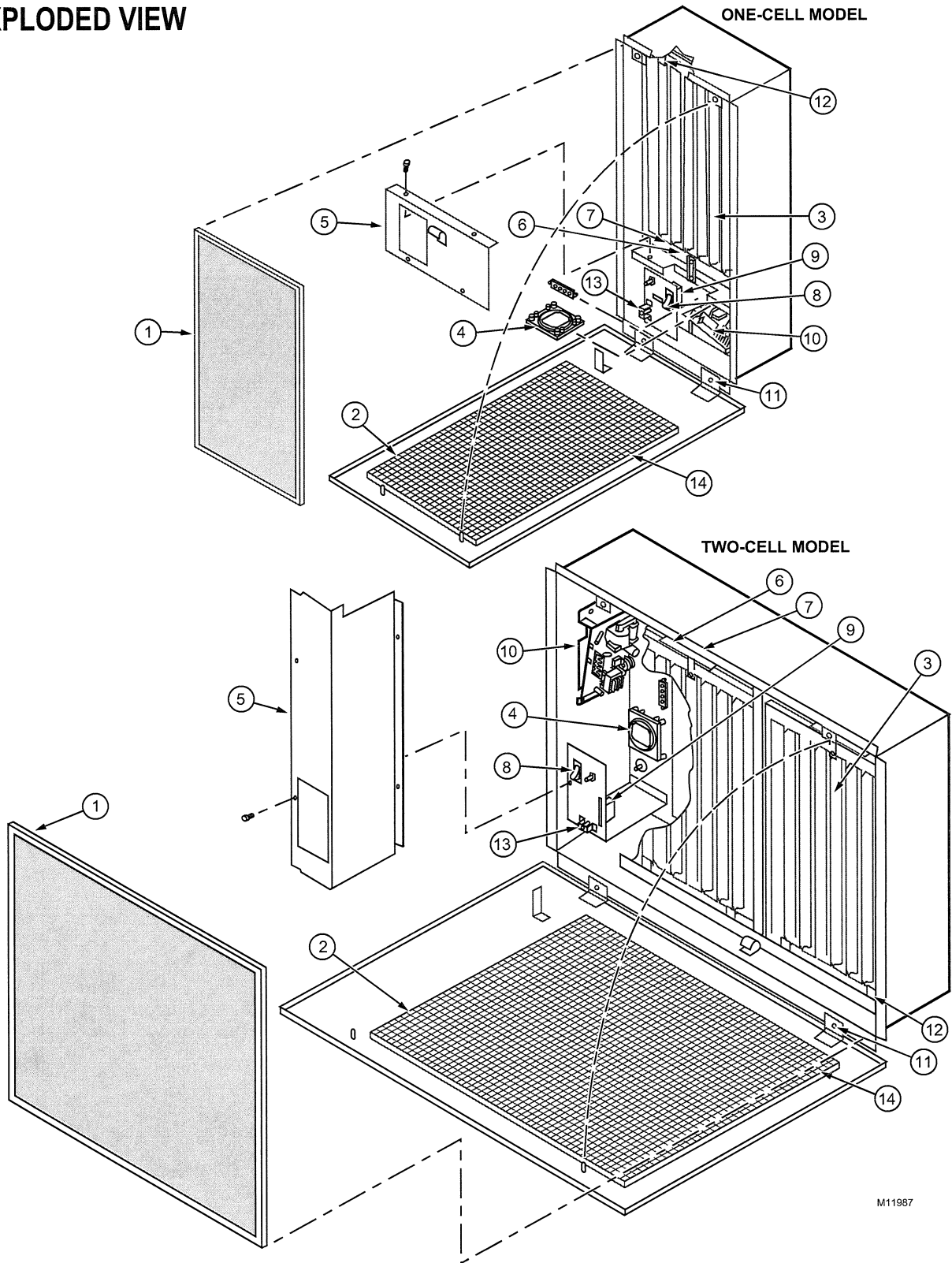


EXPLODED VIEW



M11987

Fig. 23. F52F part numbers correspond with Parts List.

PARTS LIST

Item Number	Description	Part Number			
		120 Vac Model		220/240 Vac Model	
		1-Cell	2-Cell	1-Cell	2-Cell
1	Prefilter	208536	208537	208536	208537
2	Door/Grille (Egg Crate)	32001438-004	32001438-005	32001438-004	32001438-005
3	Electronic Cell	FC37A1171	FC37A1171 (2)	FC37A1171	FC37A1171 (2)
4	Air Flow Switch	4074ETH	4074ETH	4074ETH	4074ETH
5	Power Supply Enclosure	208541	208542	208541	208542
6	Cell Contact Board	4074EHG	4074EHG (2)	4074EHG	4074EHG (2)
7	Cabinet Contact Board	190912A	190912A (2)	190912A	190912A (2)
8	On/Off Switch	203321	203321	203321	203321
9	Interlock Switch	208543	208543	208544 (2)	208544 (2)
10	Power Supply	208416AB	208416AA	208416W	208416Y
11	Hex Nut for Door Hinge	208545 (2)	208545 (3)	208545 (2)	208545 (3)
12	Metal Cell Hook	196123 (2)	196123 (4)	196123 (2)	196123 (4)
13	Neon Lamp Assembly	4074ETE	4074ETE	4074ETE	4074ETE

Parts and Accessories Not Illustrated

Description	Part Number	
	120 Vac Model	220/240 Vac Model
Cell Handle	137266	137266
Ionizer Wires (Must be ordered in multiples of 5.)	136434AA (9/cell)	136434AA (9/cell)
Air Cleaner Monitors (beige color)	W8600F1006	W8600F1006
Premier White® Air Cleaner Monitor	W8600F1014	W8600F1014