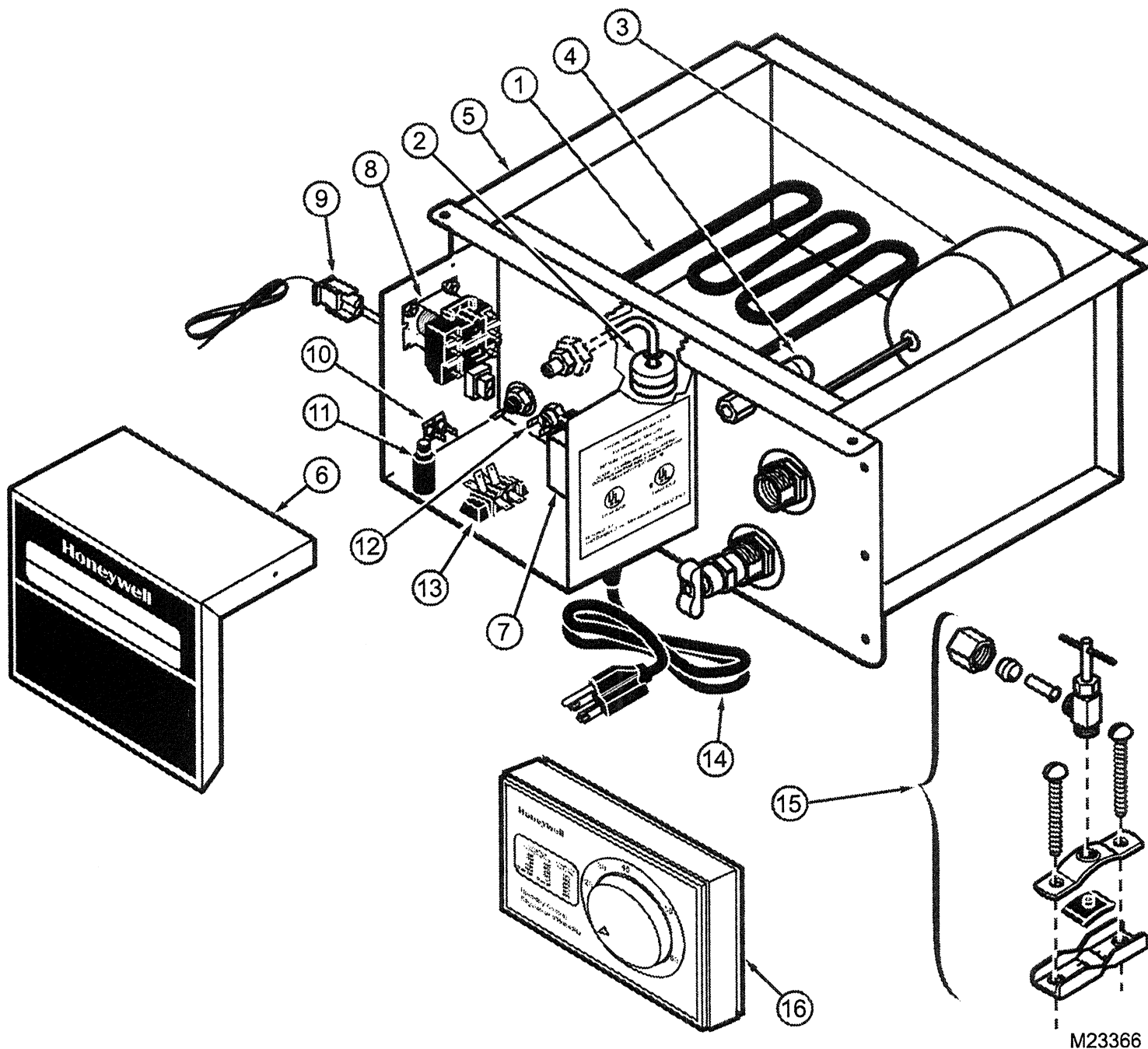


HE420A STEAM POWER HUMIDIFIER

REPLACEMENT PARTS

Refer to Fig. 14 and Table 5 when ordering replacement parts.



M23366

Fig. 8. Exploded view of humidifier parts.

Table 5. List of Replacement Parts for HE420A Humidifier

Exploded View Number	Description	HE420A Part Number
1	Incoloy® sheathed heating element	32000164-001
2	Safety float switch	32000149-001
3	Float for water fill valve	32000166-001
4	Water fill valve	32000167-001
5	Water pan assembly	32000152-001
6	Electrical enclosure cover	32000169-001
7	Transformer, 24 Vac	AT120B1101
8	Control relay, dpst, 24 V	50018844-001
9	Fan wiring assembly	32000156-001
10	Humidistat control terminal block	32000157-001

Exploded View Number	Description	HE420A Part Number
11	Indicator light	32000158-001
12	Thermal fan switch	32000159-001
13	Power distribution block	32000160-001
14	Power supply cord with strain relief	32000177-001
15	Saddle valve assembly	32001616-001
16	Automatic Humidity Control	H1010A1004
—	Automatic Flushing Timer	50018842-001
—	Safety Control Shutoff	50018846-001
—	SPDT Relay	50018847-001
—	Mounting Bracket Frame	50018841-001
—	Chlorine Filter	50019240-001